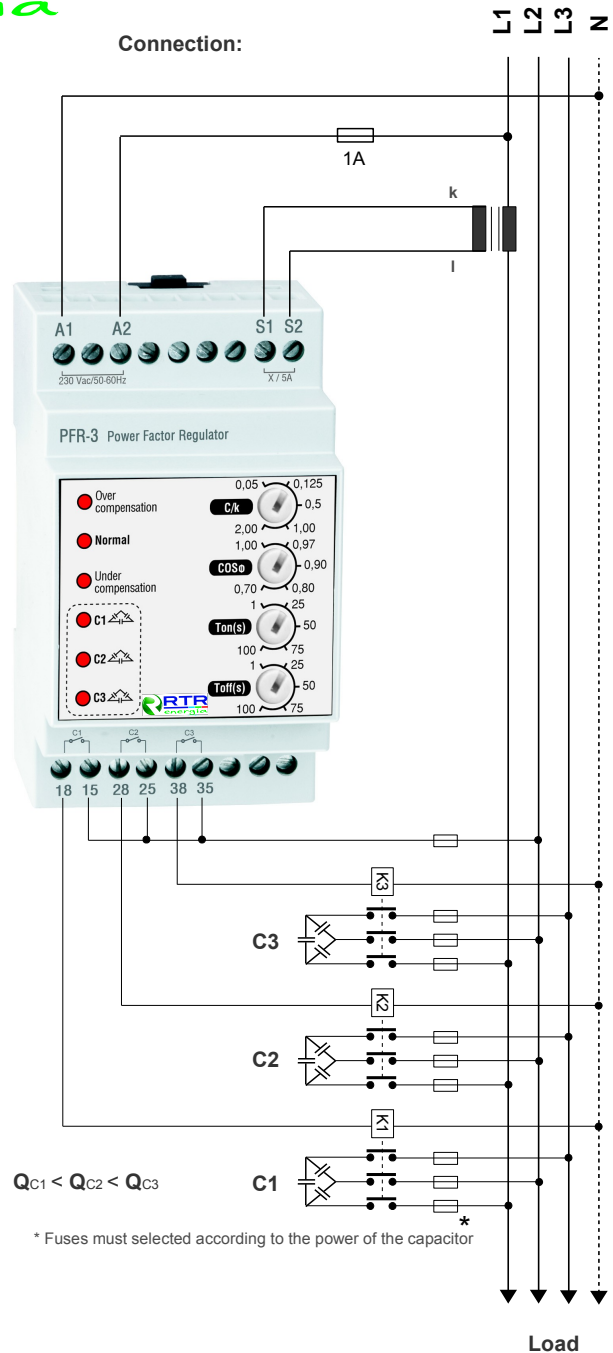
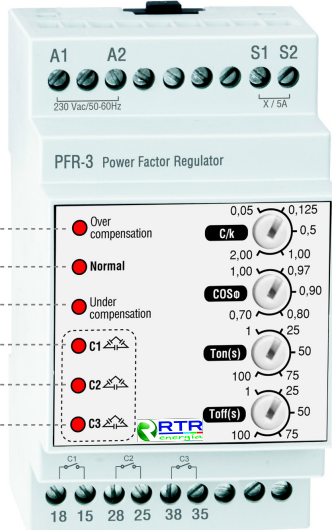


PFR-3 , PFR-2 , PFR-1

POWER FACTOR REGULATOR

- ▶ Adjustable Target $\cos\phi$ (0,70 – 1,00)
- ▶ C/k (0,05 – 2)
- ▶ Switch on Time - T_{on} (1 – 100 s)
- ▶ Switch off Time - T_{off} (1 – 100 s)
- ▶ PFR-3 3 steps
- ▶ PFR-2 2 steps
- ▶ PFR-1 1 step

- Over Compensation
- Normal
- Under Compensation
- 1. Step
- 2. Step
- 3. Step



GENERAL:

it is used to work with a fixed load or for local compensation. Especially can be used for submersible pump compensation. Does not occupy a place within the panel, it is economical and it is very easy to use. The power value of the 1st step capacitor has to be the smallest between others.

$$Q_{C1} < Q_{C2} < Q_{C3}$$

ADJUSTMENT:

C/k : (0,05 – 2)

C: Power of first capacitor.
k: Current transformer ratio.

Example:

If C: 1 KVAR
and k: 50/5 A
In this case;
 $k=50/5 = 10$ and $C/k= 1/10= 0,1$
Adjust C/k to 0,1

Target $\cos\phi$: (0,70 – 1,00)

T_{on} : (1 – 100 s) Switch on time.

T_{off} : (1 – 100 s) Switch off time.

Installation Instruction :

- Read the user instructions and caution before installation.
- Be sure that the panel you are installing in when power off.
- The device designed to be installed to the rail where the installation tap into the panel,
- Do not under case open the front of device.
- You should open the Terminals at the back side of the device after you must be sure that there is no power in the panel.
- Connect the device as shown in the connection scheme.
- Do not use current transformer less than nominal current
- Please use fast type fuse to protect the device's power supply input
- Clean the device using dry dust cloth after turned off device.
- Read and follow the instruction on this manual and attached label.

RTR Energía S.L.
Albatros , 30
Pol. Ind. Pinto-Estación
28320 PINTO (Madrid) ESPAÑA
Tel.: 34 91 691 66 12
Fax: 34 91 691 22 57
e-mail: info@rtr.es

TECHNICAL INFORMATION:

Rated Voltage (U_n)	: 230Vac (L1-N)
Operating Range	: (0,8-1,1) x U_n
Operating Frequency	: 50 / 60 Hz
Supply Power Consumption	: < 4VA
Current Measurement Range	: 0,05 - 6 A
Current Transformer Ratio	: X / 5 Amper
Inputs Power Consumption	: < 1VA
Contact Current	: Max. 3A / 240Vac
Device Protection Class	: IP 20
Connector Protection Class	: IP 00
Temperature	: - 5 °C + 50 °C
Connection Type	: To connection rail in electrical panel
Dimension	

